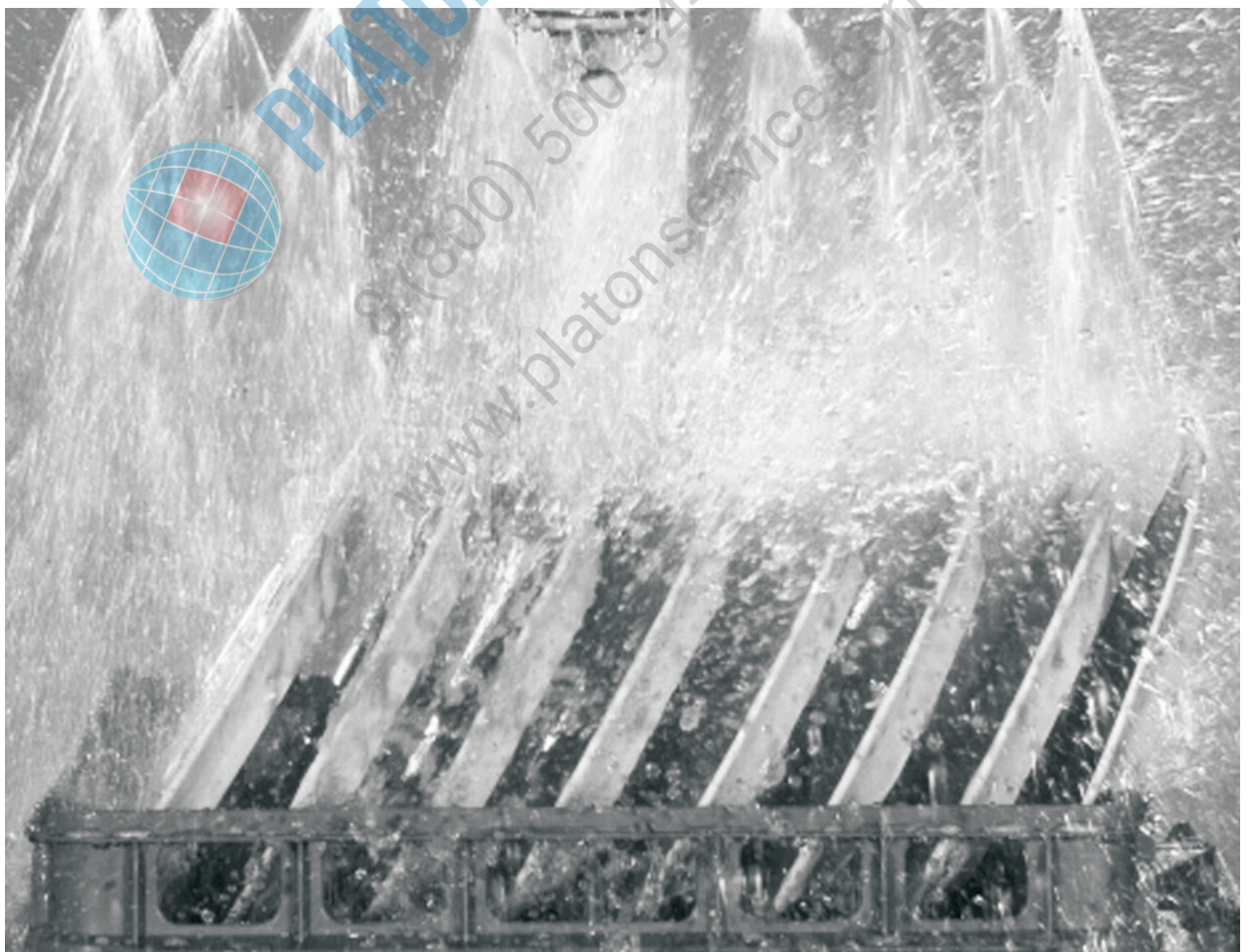


Spare parts list

Combination Pot and Pan Dishwasher



FV 130.2 208 – 230V / 460V / 60HZ 3P / MIKE 2





PLATONSERVICE

8 (800) 500-34-47

www.platonservice.com

FV 130.2

Contents

01.15 wash pump.....	4
03.20 wash system.....	6
03.21 final rinse sytem.....	8
03.22 final rinse system lateral.....	10
04.25 solenoid valve.....	11
06.07 level control.....	13
08.35 incorcorated boiler.....	14
09.11 tank heating.....	16
10.14 dosing units.....	17
11.37 electronic control 208-230V.....	18
11.47 electronic control 460V.....	20
13.26 component blocks / parts.....	22
18.09 drain pump.....	24
22.12 booster pump.....	25
24.06 air gap.....	27
29.02 wash arm drive.....	28

LEGEND KEY FOR PARTS

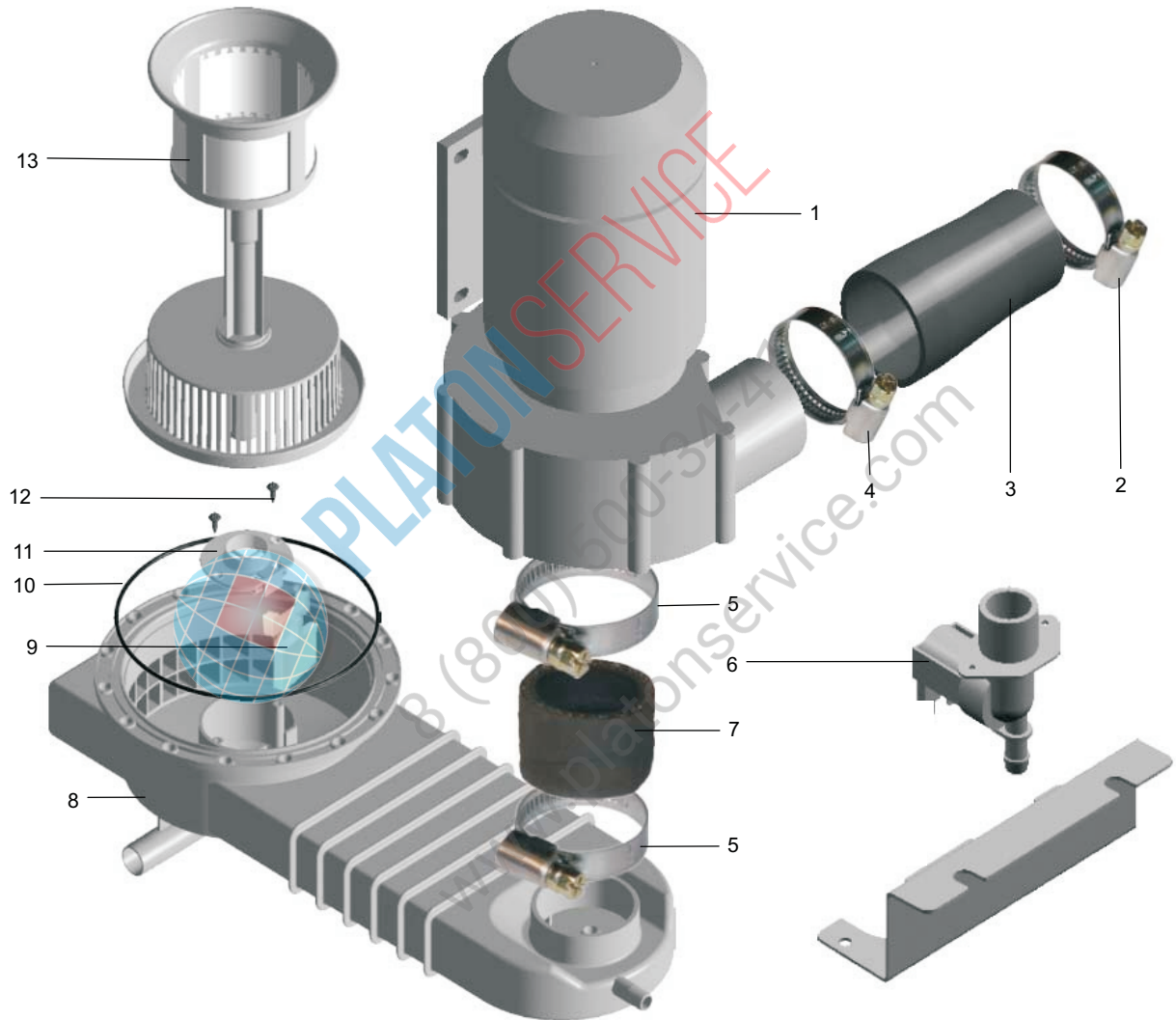
* / V WE RECOMMEND HAVING THESE PARTS IN STOCK.

V WEAR AND TEAR PART

WE RESERVE THE RIGHT TO CHANGE EXECUTION AND CONSTRUCTION OF THESE PARTS

MEIKO USA Inc.
917 Airpark Center Drive
Nashville, TN 37217
USA
Toll Free (800) 55-MEIKO
FAX (615) 399-6620
www.meiko.us
Info@meiko.us

01.15 WASH PUMP

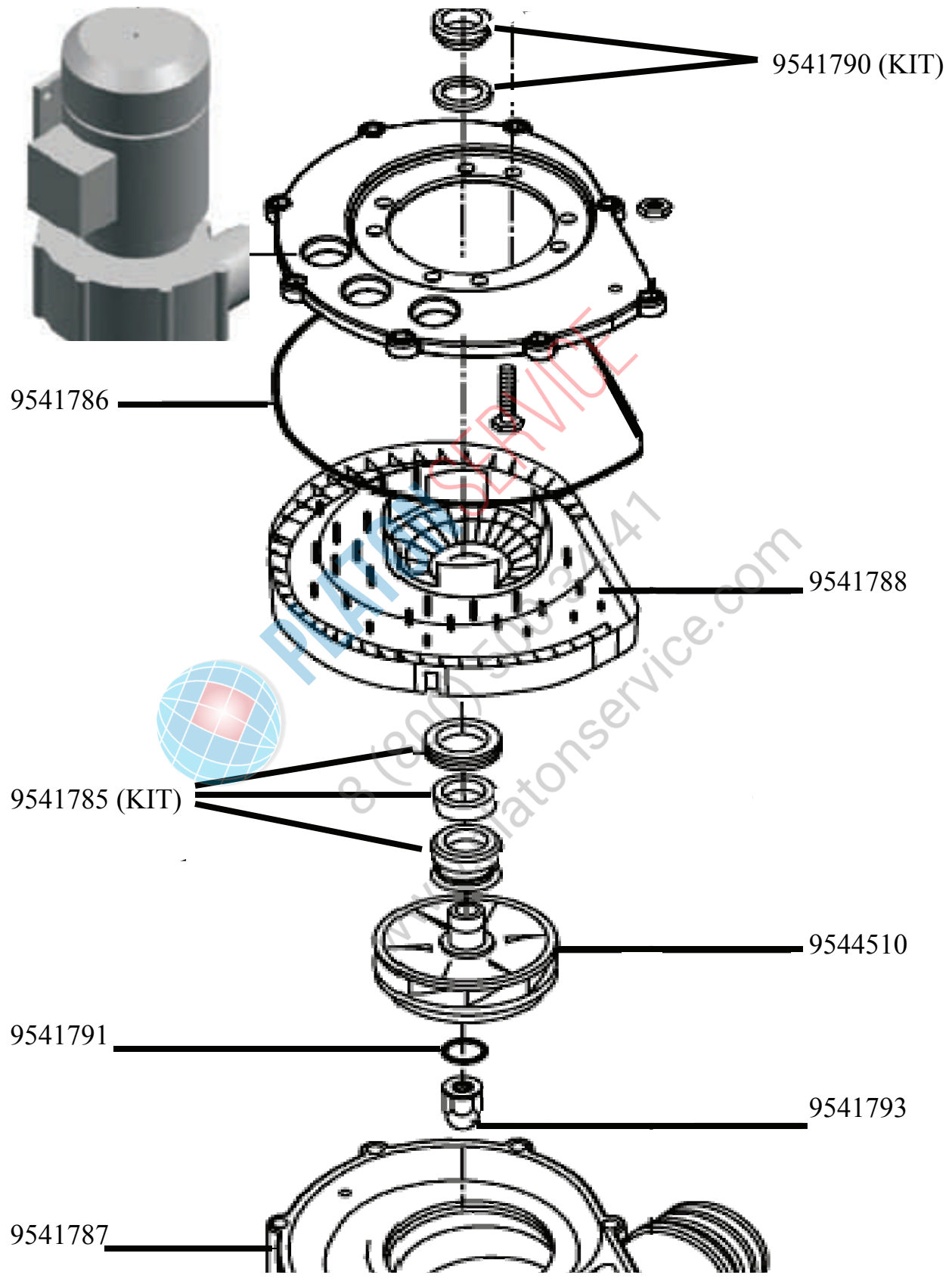


01.15 WASH PUMP

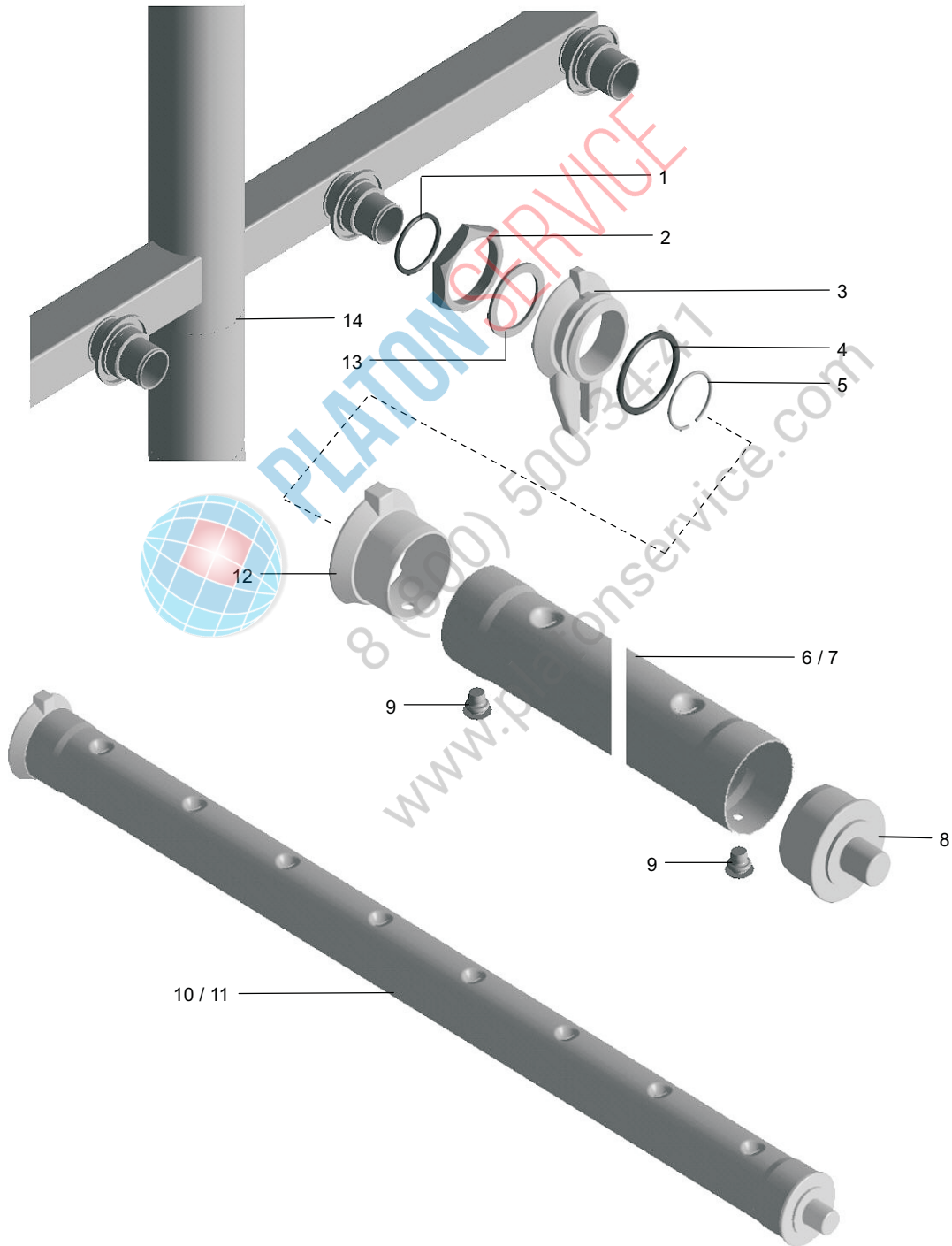


POS	PART N O.	DESCRIPTION
1 *	9544269	WASH PUMP 2.6 KW CPL. 200-230V
1 *	9544268	WASH PUMP 2.6 KW CPL. 460V
V	9541785	SLIDING SEAL CPL.
*	9541786	PACKING MOTOR SHAFT
*	9541787	PUMP HOUSING
	9541788	PUMP LID
*	9544510	PUMP WHEEL 60 HZ 0 108 (Impeller Nut part #9541793)
*	9541790	PACKING PUMP HOUSING
*	9541791	O-RING 12X2.5
2	9546093	HOSE WIRE CLAMP 70-90
3 *	9600819	HOSE
4	9546094	HOSE WIRE CLAMP 80-100
5	9546093	HOSE WIRE CLAMP 70-90
6	9544640	SOLENOID VALVE FOR SMOOTH START 24VDC
7 *	9543879	HOSE CONNECTION
8	9600390	SUCTION SYSTEM
9 *	9601543	FLAP
10 *	9600791	O-RING
11	9600744	DRAIN HOUSING
12	0330022	SCREW 4.2X13
13	9612087	FILTER CPL.

PLATON SERVICE
 8 (800) 500-34-41
 www.platonservice.com



03.20 WASH SYSTEM



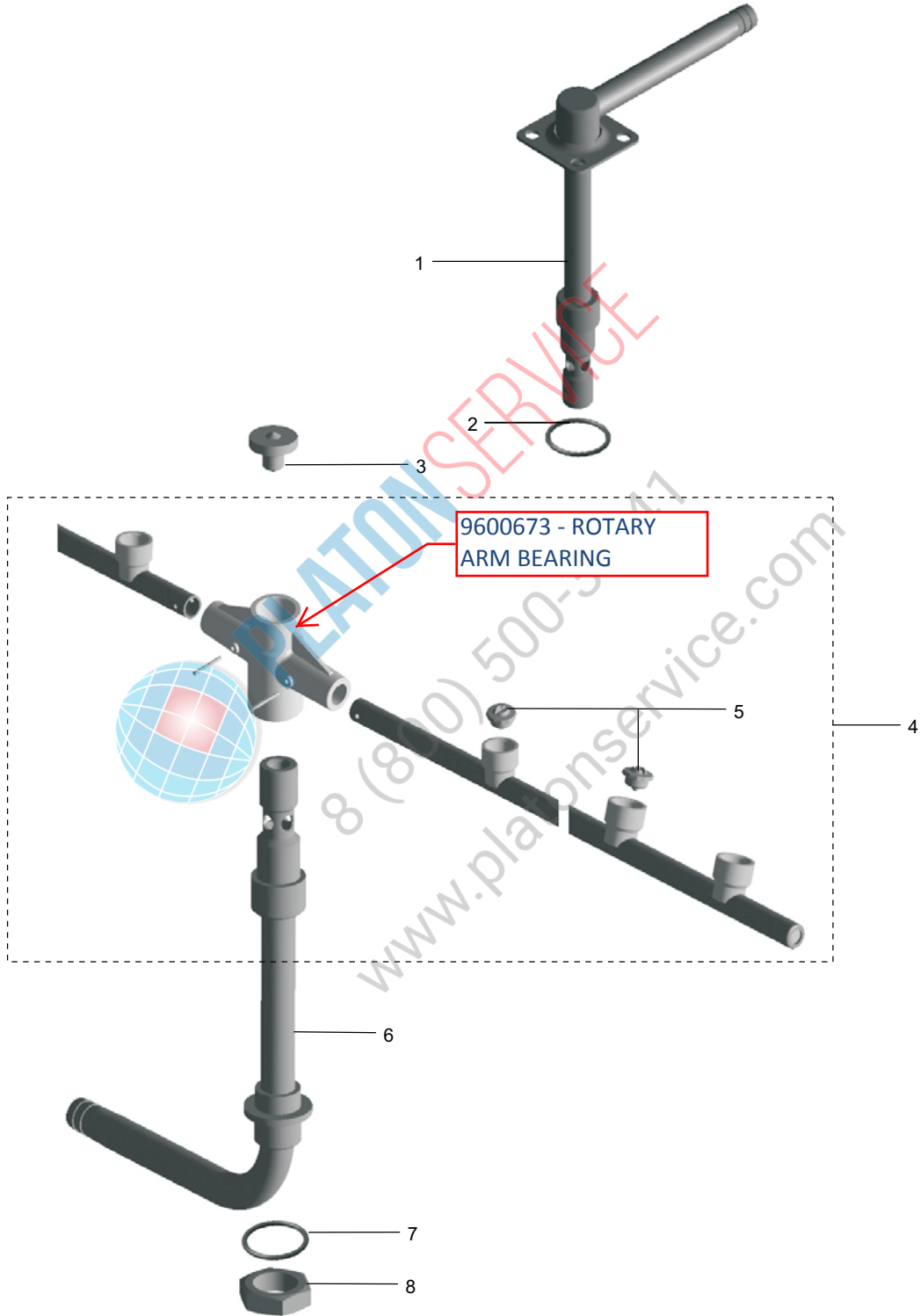
03.20 WASH SYSTEM

POS	PART NO.	DESCRIPTION
1 *	9601007	O-RING
2	9600765	HEXAGON NUT
3 *	9600764	CARRIER
4 *	0401029	O-RING
5 *	9600784	SNAP RING
6	9600509	UPPER WASH ARM
7	9600441	LOWER WASH ARM
8 *	9600446	CLOSING CAP
9 *	9600832	BLIND RIVET
10	9600508	UPPER WASH ARM
11	9600439	LOWER WASH ARM
12	9600763	CLUTCH
13	9600453	DISK
14	9600407	ASCENDING PIPE



PLATON SERVICE
 8 (800) 500-34-47
www.platonservice.com

03.21 FINAL RINSE SYTEM



03.21 FINAL RINSE SYTEM

POS	PART NO.	DESCRIPTION
1	9600853	UPPER ROTATING ARM CENTER
2 *	0401018	O-RING 22X3.5
3 *	0310010	KNURLED SCREW
4	9600672	FINAL RINSE ARM CPL.
5 *	9517406	FINAL RINSE NOZZLE CPL.
6	9600657	LOWER ROTATING ARM CENTER
7 *	0401066	O-RING 22X3
8	8660046	HEXAGON NUT ½"

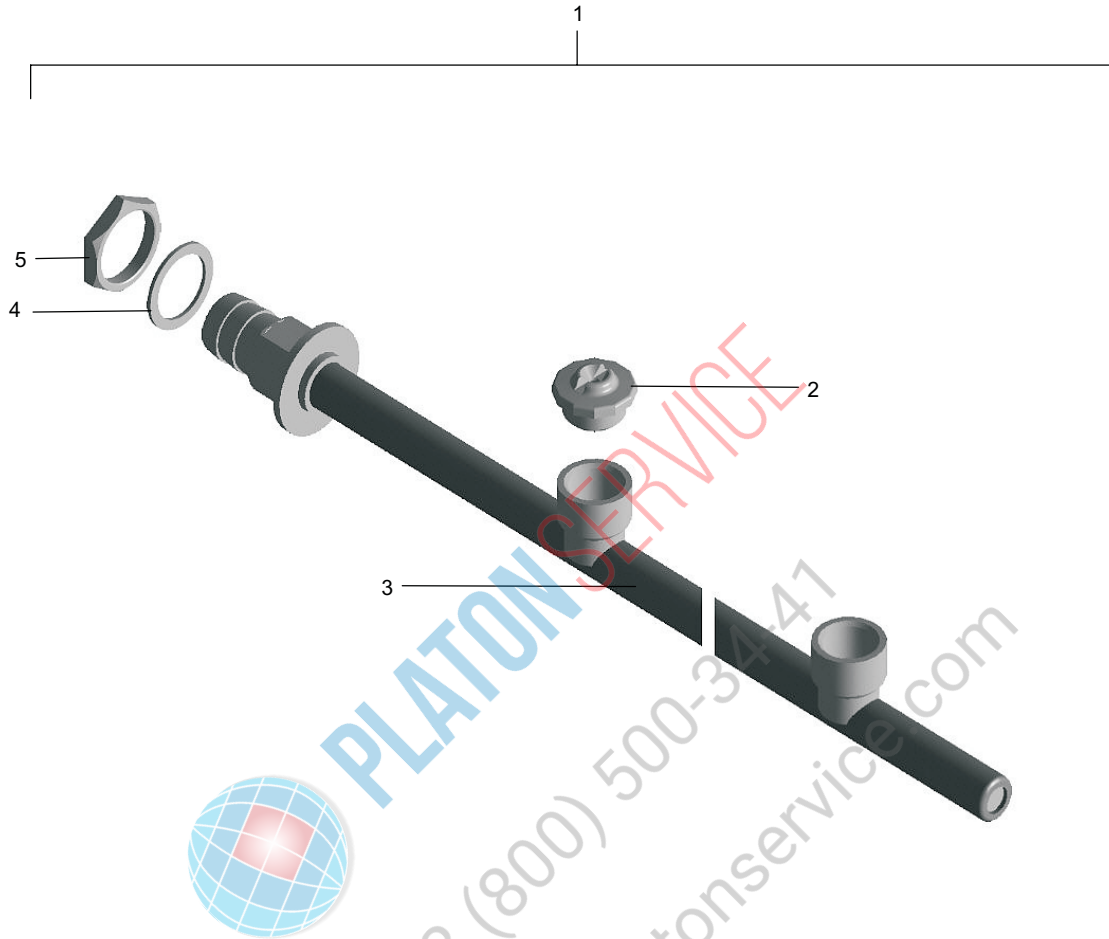


PLATON SERVICE

8 (800) 500-34-41

www.platonservice.com

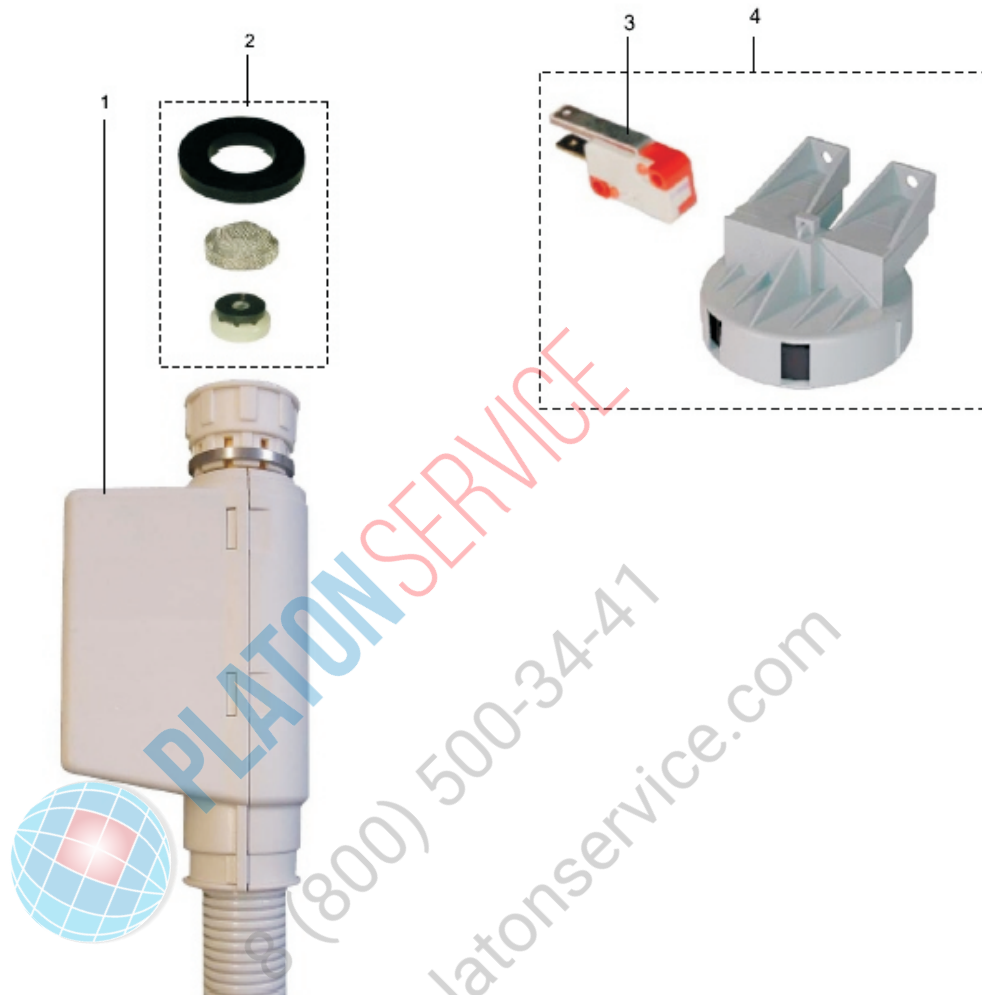
03.22 FINAL RINSE SYSTEM LATERAL



POS	PART	N.O	DESCRIPTION
-----	------	-----	-------------

1	9600607		FINAL RINSE SYSTEM LATERAL
2 V	9517406		FINAL RINSE NOZZLE CPL.
3	9600629		FINAL RINSE PIPE
4 *	0408238		PACKING
5	0360211		HEXAGON NUT 3/8"

04.25 SOLENOID VALVE



POS	PART NO .	DESCRIPTION
1 *	9604365	AQUASTOP FILL VALVE 24VDC 1300MM
2 *	9617744	AQUASTOP REPAIR KIT
3 *	9520085	MICROSWITCH
4 *	9622935	GROUND FLOAT SWITCH CPL.



PLATONSERVICE

8 (800) 500-34-41

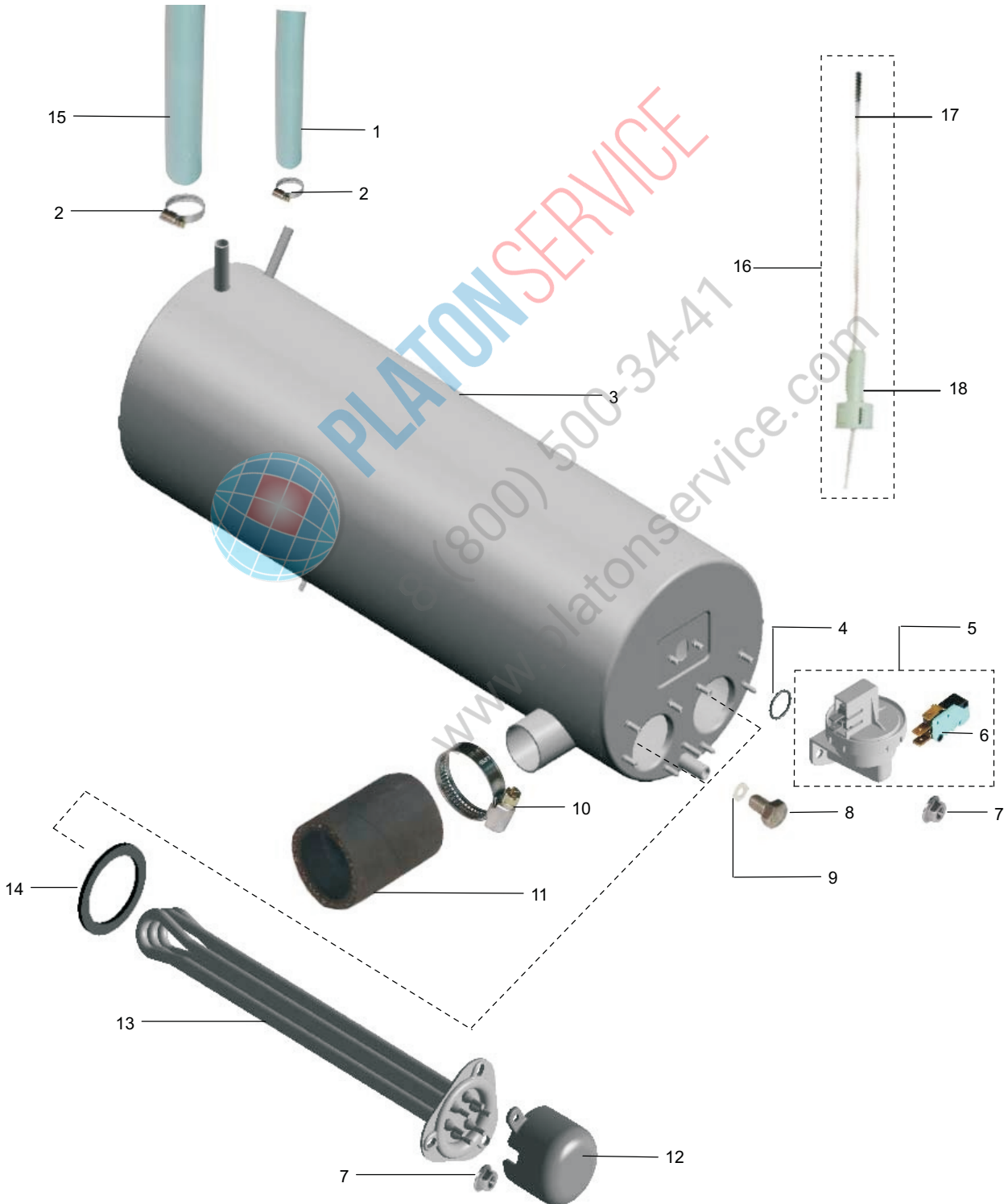
www.platonservice.com

06.07 LEVEL CONTROL



POS	PART N O.	DESCRIPTION
1 *	9537961	LEVEL SWITCH
2 *	9500044	HOSE WIRE CLAMP SILVER
3 *	0260006	HOSE TRANSPARENT 05
4	9601265	HOSE BRACKET
5 *	9500045-H	HOSE WIRE CLAMP YELLOW
6	9515957	NUT 3/8"
7 *	9515964	PACKING
8 *	9515955	AIR TRAP

08.35 INCORCORATED BOILER

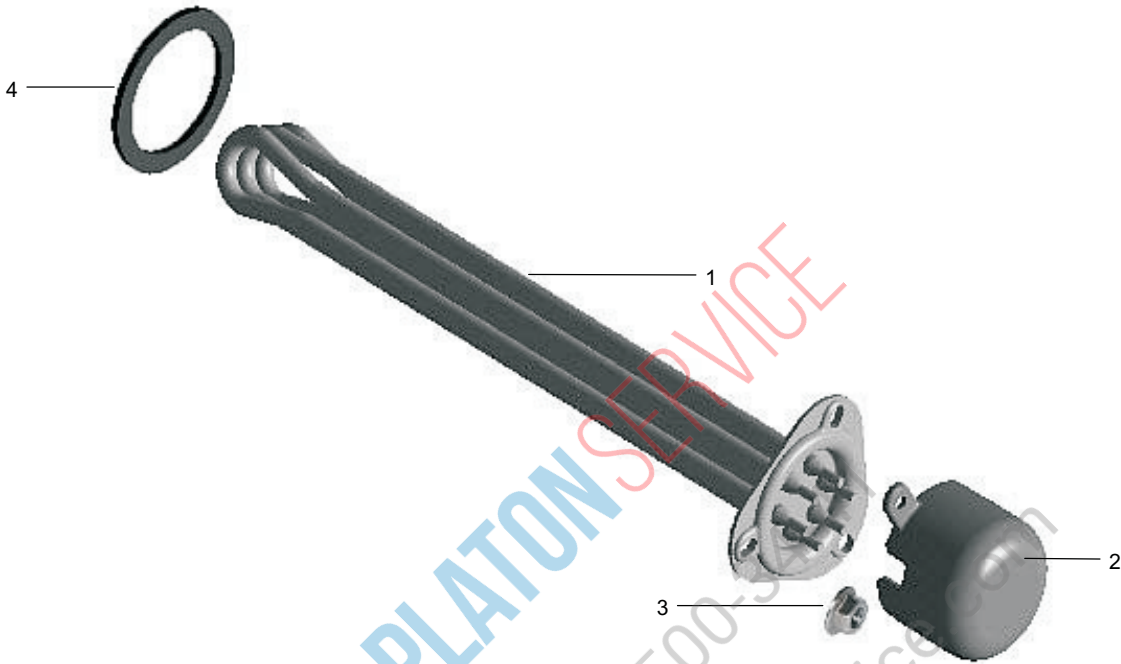


08.35 INCORCORATED BOILER



POS	PART N O.	DESCRIPTION
1 *	0640030	HOSE CPL. 3/8"
2	0233035	HOSE WIRE CLAMP 12/20
3	9525432	BOILER
4 *	0401014	O-RING 18X2
5 *	9622898	LEVEL SWITCH CPL.
6 *	0122103	SWITCH
7	0335008-H	NUT M5
8 *	0408001	PACKING
9	0302006-H	SCREW M8X15
10	0233045	HOSE WIRE CLAMP 20/32
11	9600820	HOSE
12	0620312	CLOSING CAP
13 *	9546195	HEATING ELEMENT 6 KW WITH THERMAL PROTECTION
14 *	0101176	HEATING ELEMENT PACKING
15 *	9608600	HOSE 1/2"
	9540297	BLIND FLANGE
16	9640339	TEMPERATURE PROBE ASSEMBLY
17	9634739	TEMPERATURE PROBE
18	9639363	CABLE CLIP

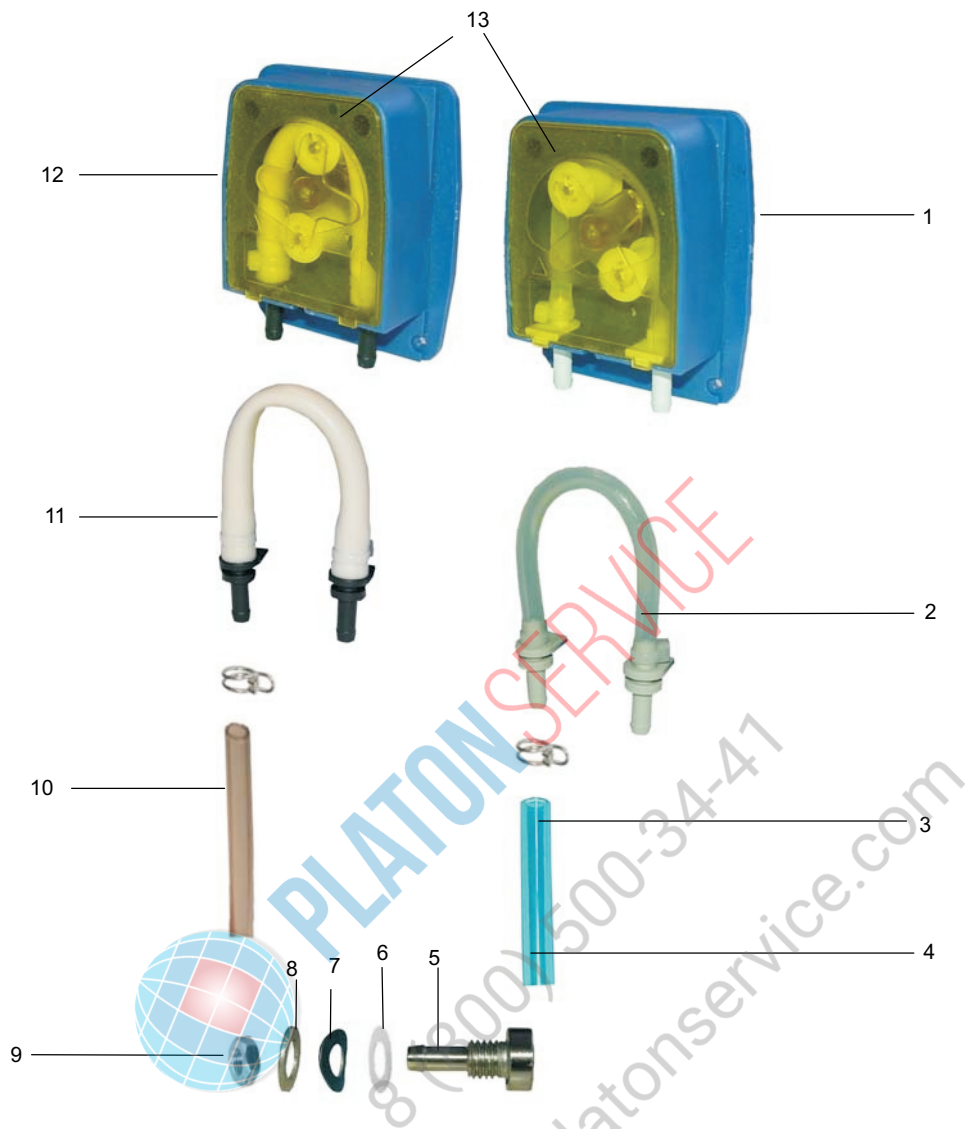
09.11 TANK HEATING



POS	PART NO.	DESCRIPTION
-----	----------	-------------

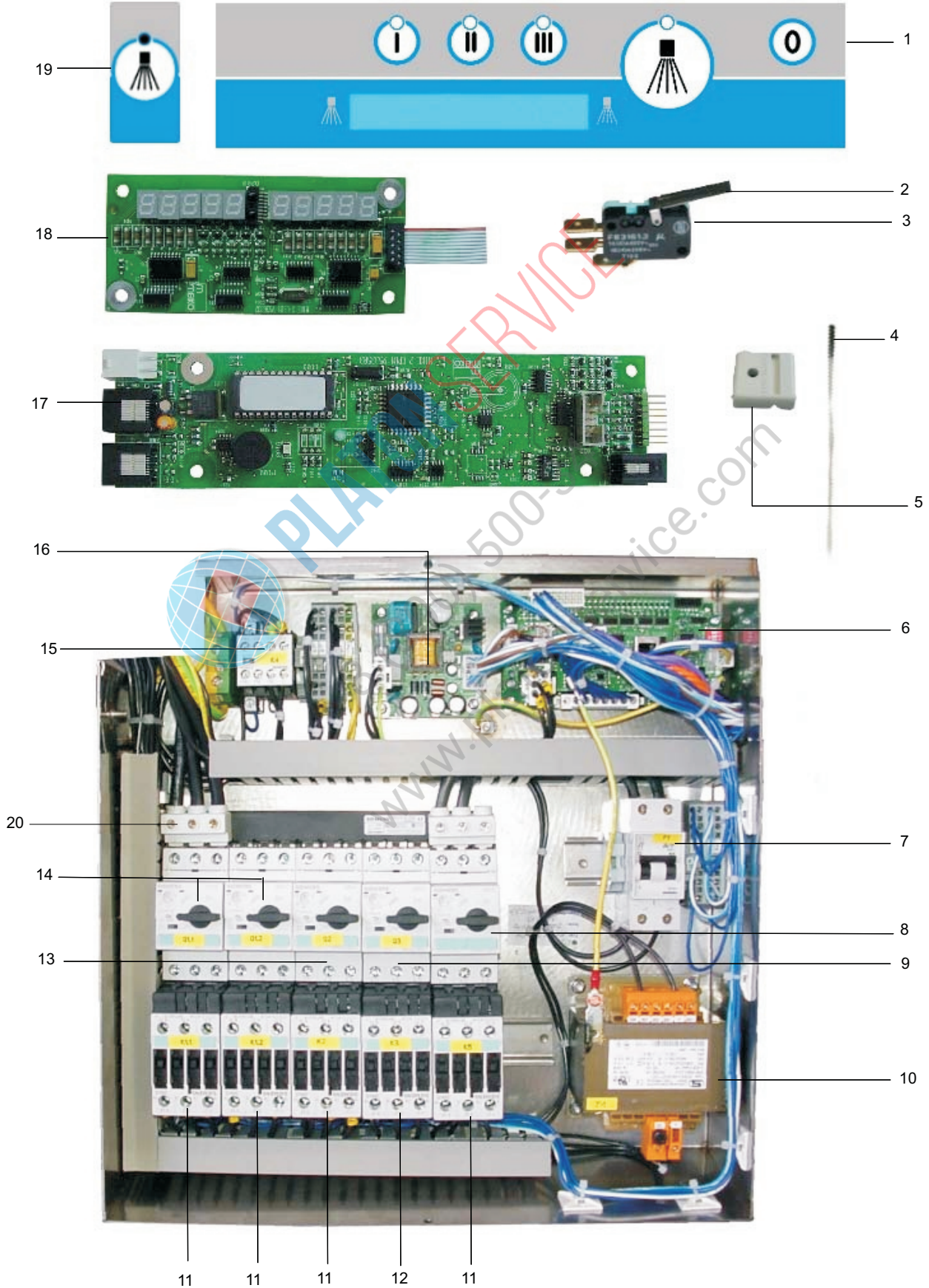
1 *	9546193	HEATING ELEMENT 4.5 KW WITH THERMAL PROTECTION
2	0620312	CLOSING CAP
3	0335008-H	NUT M5
4 *	0101176	HEATING ELEMENT PACKING

10.14 DOSING UNITS



POS	PART NO.	DESCRIPTION
1 *	9544293	RINSE AID DOSING PUMP CPL.
2 V	9544088	HOSE RINSE AID CPL.
3 *	9500045-H	HOSE WIRE CLAMP YELLOW
4 *	9538712	HOSE BLUE 06
5	8000013	HOSE CONNECTION
6 *	9603787	FLAT PACKING 10X16X2
7	9603790	SPRING WASHER M10
8	0340005	LIMPET
9	0335019	HEXAGON NUT
10 *	0260007	HOSE TRANSPARENT 06
11 V	9511675	HOSE DETERGENT CPL.
12 *	9544292	DETERGENT DOSING PUMP CPL.
13	9203579	YELLOW PUMP COVER

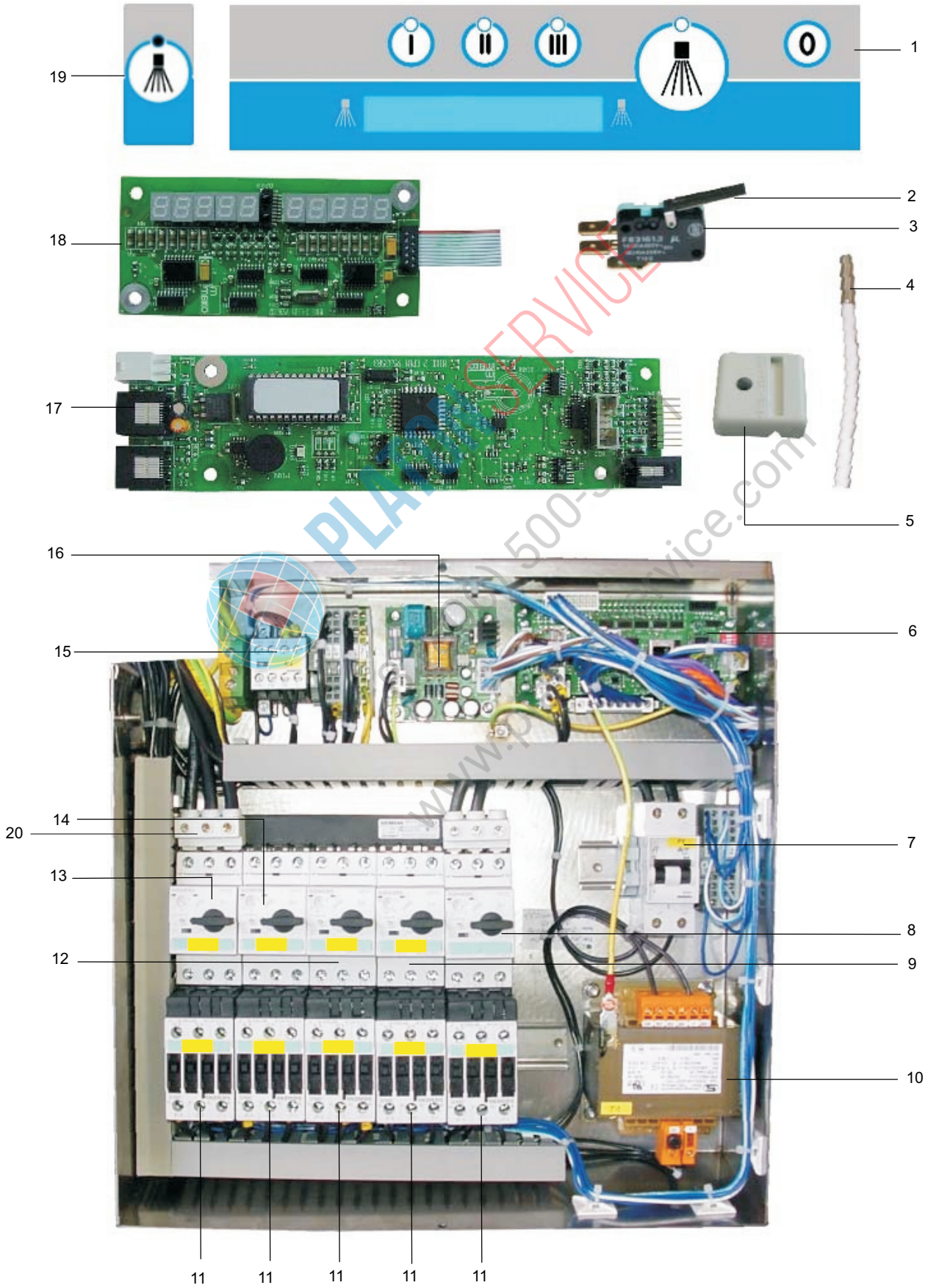
11.37 ELECTRONIC CONTROL 208-230V



11.37 ELECTRONIC CONTROL 208-230V

POS	PART NO.	DESCRIPTION
1	9537365	TOUCH PAD FV130.2
2 *	0122106	LEVER FOR MICROSWITCH
3 *	0122103	MICROSWITCH
4	9634739	WASH TANK TEMP PROBE
	9640338	WASH TANK TEMP PROBE ASSEMBLY KIT
5 *	9639363	TEMP PROBE MOUNTING BRACKET
6	9617235	INPUT/OUTPUT CIRCUIT BOARD
	9611761	FUSE 16A 20MM
7	9542512	FUSE BLOCK
8	9540603	MOTOR SAFETY SWITCH 3RV1021-1DA10 2.2-3.2A S0
9	9544339	MOTOR SAFETY SWITCH 3RV1021-1KA10 9-12.5A S0
10	9545137	TRANSFORMER
11	9542897	CONTACTOR
12	9544770	CONTACTOR
13	9544738	MOTOR SAFETY SWITCH 3RV1021-4DA10 20-25A S0
14	9544737	MOTOR SAFETY SWITCH 3RV1021-4CA10 17-22A S0
15	9543079	CONTACTOR
16	9533502	POWER SUPPLY UNIT
17	9541525	CPU CIRCUIT BOARD ASSEMBLY KIT
18	9542049	DISPLAY CIRCUIT BOARD ASSEMBLY
19	9537572	TOUCH PANEL START BUTTON
*	9540552	EPROM V2.0
*	9547472	E-EPROM V1.0
*	9540550	CONNECTION CABLE FOR CIRCUIT BOARD 1000MM
*	9545152	COMMUNICATION RIBBON CABLE
*	9539901	CABLE 4 POL
20	9540604	CONTACT BLOCK

11.47 ELECTRONIC CONTROL 460V

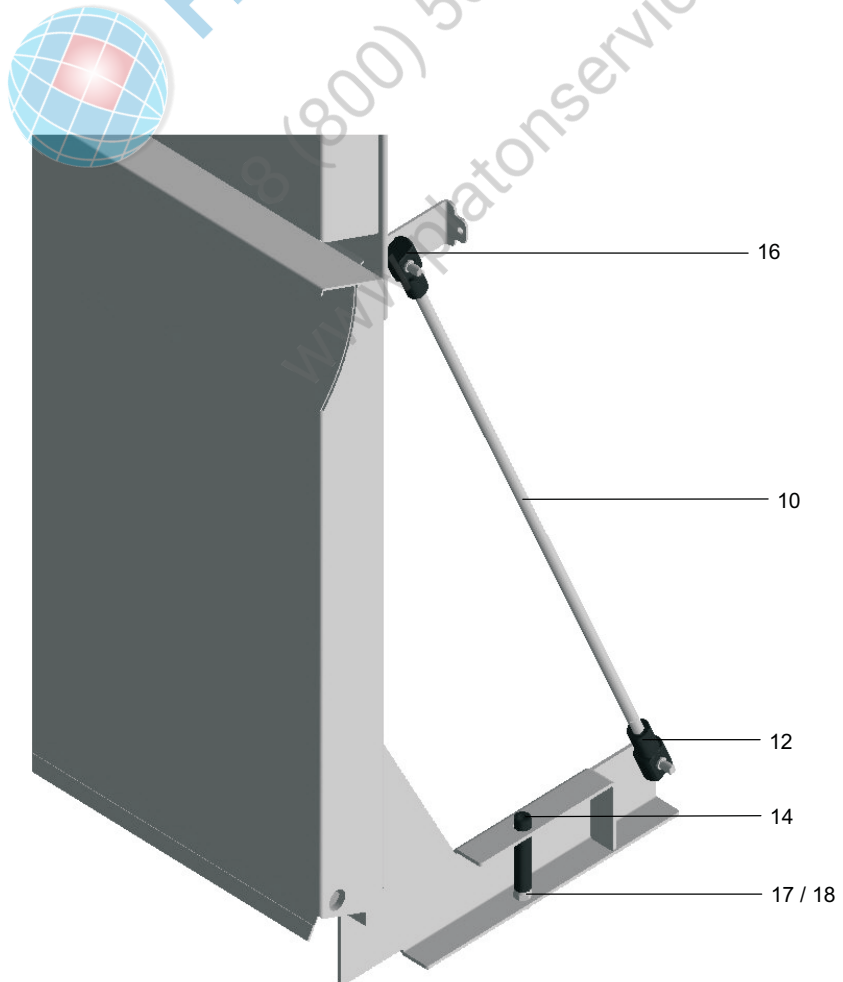
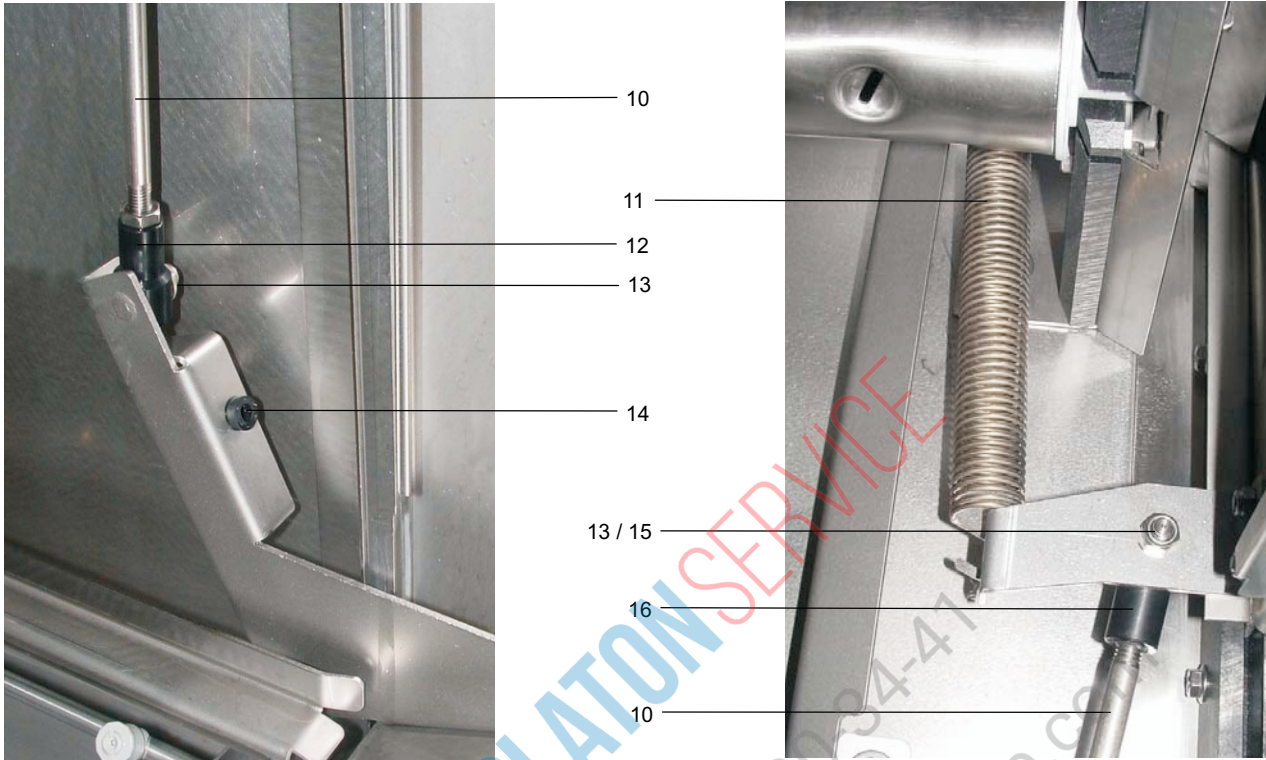


11.47 ELECTRONIC CONTROL 460V



POS	PART N O.	DESCRIPTION
1	9537365	TOUCH PAD FV130.2
2 *	0122106	LEVER FOR MICROSWITCH
3 *	0122103	MICROSWITCH
4	9634739	WASH TANK TEMP PROBE
	9640338	WASH TANK TEMP PROBE ASSEMBLY KIT
5 *	9639363	TEMP PROBE MOUNTING BRACKET
6	9617235	INPUT/OUTPUT CIRCUIT BOARD
	9611761	FUSE 16A 20MM
7	9542512	FUSE BLOCK
8	9531837	MOTOR SAFETY SWITCH RV1021-0FA15-0.35-0.5A
9	9546245	MOTOR SAFETY SWITCH 3RV1021-1AA10 1.1-1.6A S0
10	9546868	TRANSFORMER
11	9542897	CONTACTOR 24VDC 4KW
12	9540602	MOTOR SAFETY SWITCH 3RV1021-1GA10 4.5-6.3A S0
13	9544737	MOTOR SAFETY SWITCH 3RV1021-4CA10 17-22A S0
14	9544339	MOTOR SAFETY SWITCH 3RV1021-1KA10 9-12.5A S0
15	9543079	CONTACTOR
16	9533502	POWER SUPPLY UNIT
17	9533503	CPU CIRCUIT BOARD
18	9536332	DISPLAY CIRCUIT BOARD
19	9537572	TOUCH PAD START BUTTON
*	9540552	EPROM V2.0
*	9547472	E-EPROM V1.0
*	9540550	CONNECTION CABLE FOR CIRCUIT BOARD 1000MM
*	9545152	COMMUNICATION RIBBON CABLE
*	9539901	CABLE 4 POLE
20	9540604	CONTACT BLOCK

13.26 COMPONENT BLOCKS / PARTS

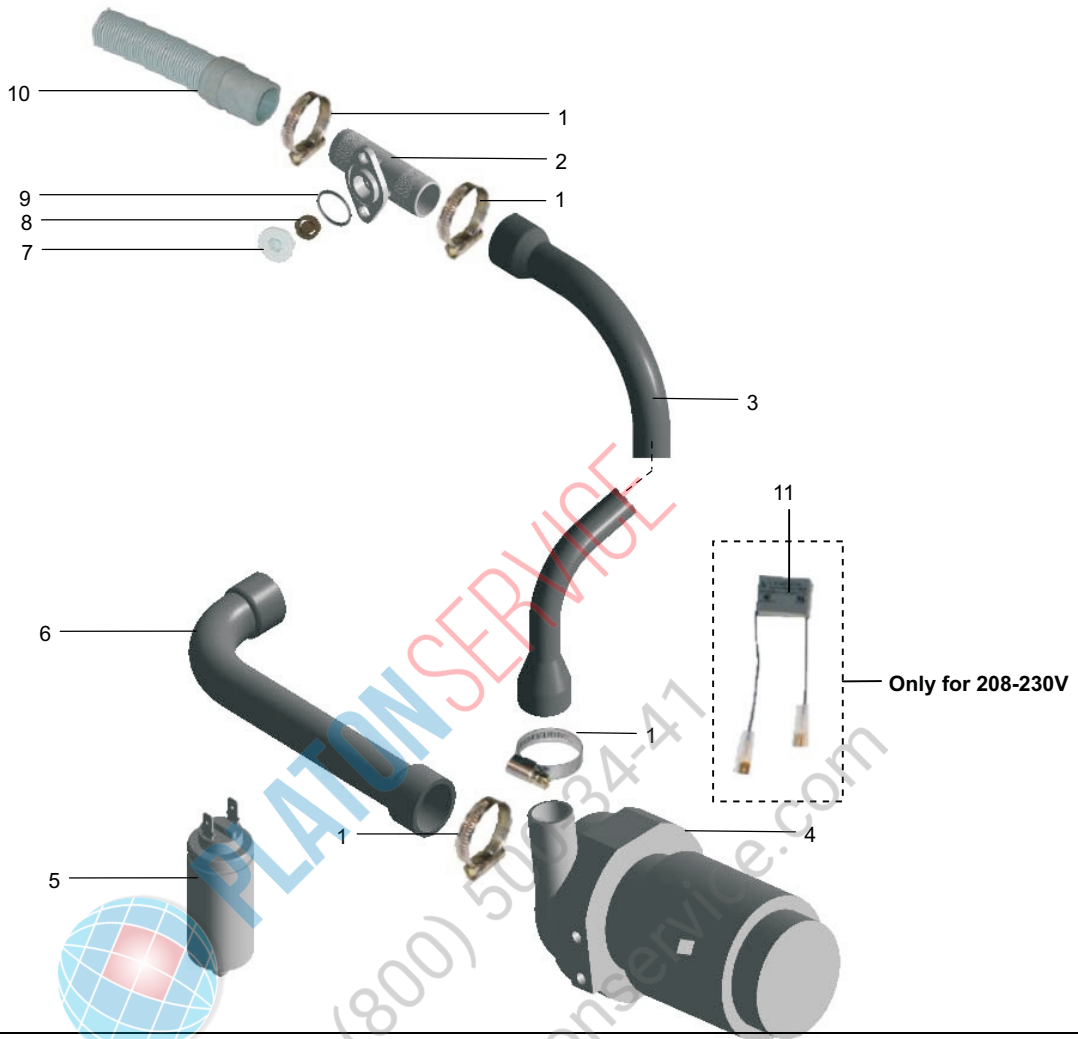


13.26 COMPONENT BLOCKS / PARTS



POS	PART N O.	DESCRIPTION
1	9601303	SEAL ANGLE
2	9600945	COVER
3	9600378	SIDE CLADDING, LEFT
4	9600770	SLIDING DOOR CPL.
5	9600524	CLADDING, BACK
6	9600370	FLAP DOOR CPL.
7	9601107	SIDE CLADDING, RIGHT
8	9600349	FRONT SHEET
9 *	9533829	TABLE FEET
	9600597	CAVERING SIEVE CPL.
*	0620455	SPACER FOR CLADDING
10	9600525	PRESSURE ROD
11 *	9542938	TENSION SPRING
12 *	8002834	BEARING PIECE
13	0337005-H	HEXAGON NUT M8
14 *	9600729	TUBE
15	8002831	BEARING BOLT
16 *	8002833	BEARING PIECE
17	0337003	HEXAGON NUT M6
18	0302047	HEXAGON SCREW M6

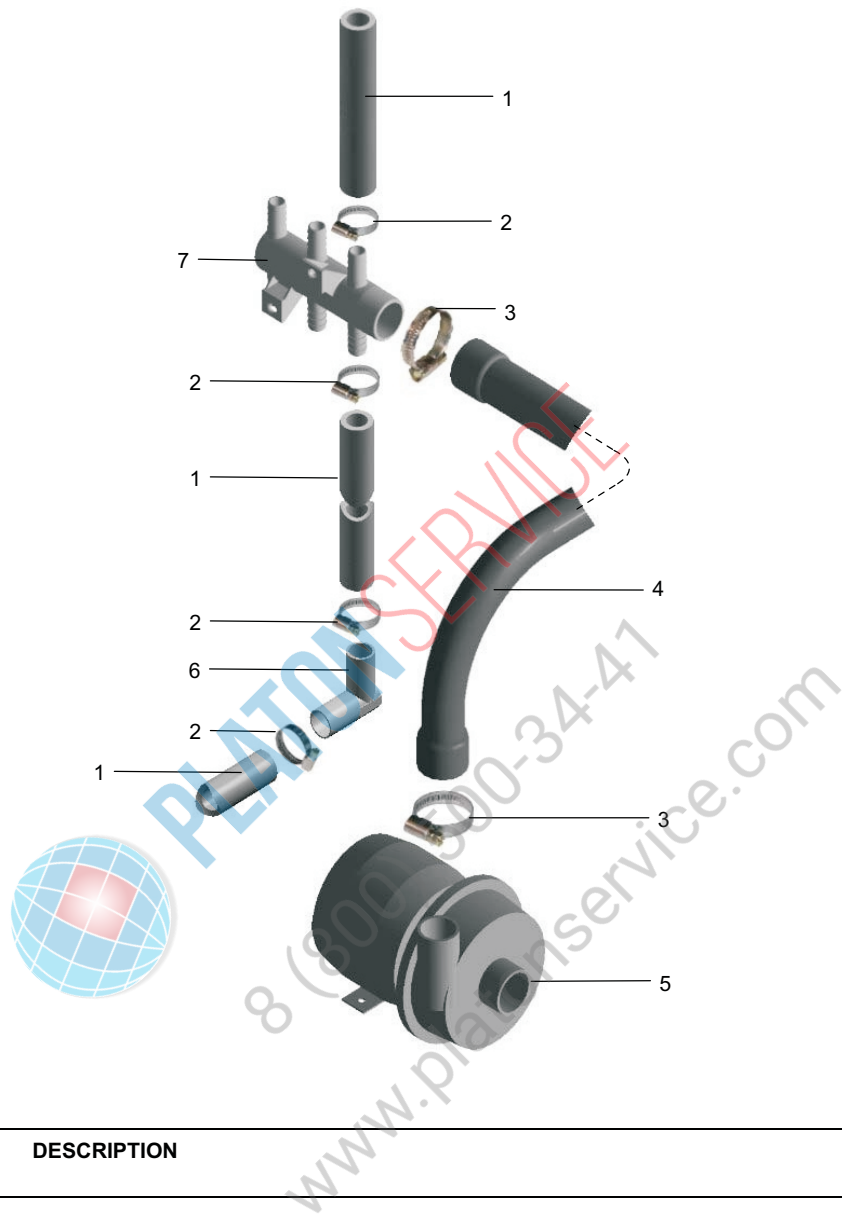
18.09 DRAIN PUMP



POS	PART NO.	DESCRIPTION
-----	----------	-------------

1	0233045	HOSE WIRE CLAMP 20/32
2	9515230	VENT VALVE
3	9600813	HOSE
4 *	9544287	DRAIN PUMP CPL.200-230V 60 HZ
4 *	9544376	DRAIN PUMP CPL. 460V 60HZ
V	9543778	SLIDING SEAL CPL.
*	9543779	PUMP WHEEL
	9543780	PUMP HOUSING
*	9543781	PACKING FOR PUMP HOUSING
5 *	9520030	CONDENSER 5 μ F
6	9600814	HOSE
7	9515231	SCREW
8 *	9515234	PACKING
9 *	0401016	O-RING 21X2
10	9609672	HOSE
11	9550030	

22.12 BOOSTER PUMP



POS	PART N O.	DESCRIPTION
1	9608600	HOSE
2	0233035	HOSE WIRE CLAMP 12/20
3	0233045	HOSE WIRE CLAMP 20/32
4	9600844	HOSE
5 *	9545451	BOOSTER PUMP CPL.
	9548658	SLIDING SEAL CPL.
*	9552773	PUMP WHEEL
	0501091	PUMP HOUSING
*	0501094	PACKING FOR PUMP HOUSING
6	0621072	ANGLE
7	9600841	DISTRIBUTOR

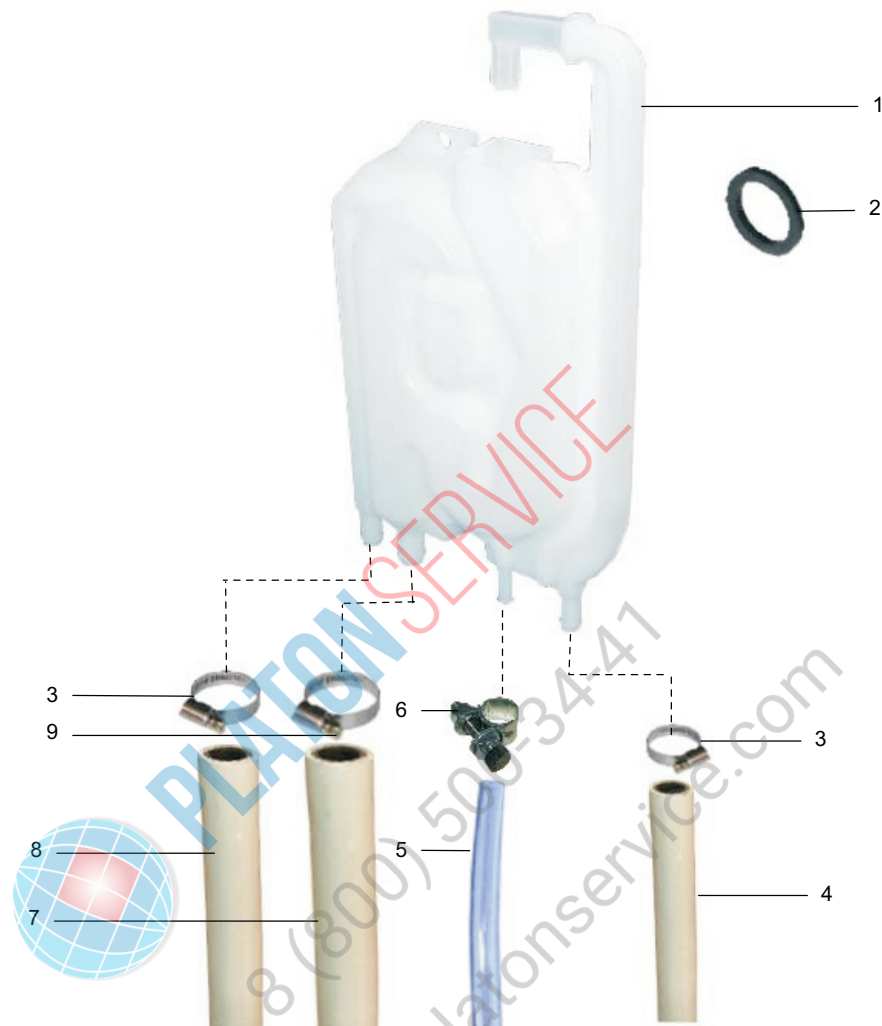


PLATONSERVICE

8 (800) 500-34-47

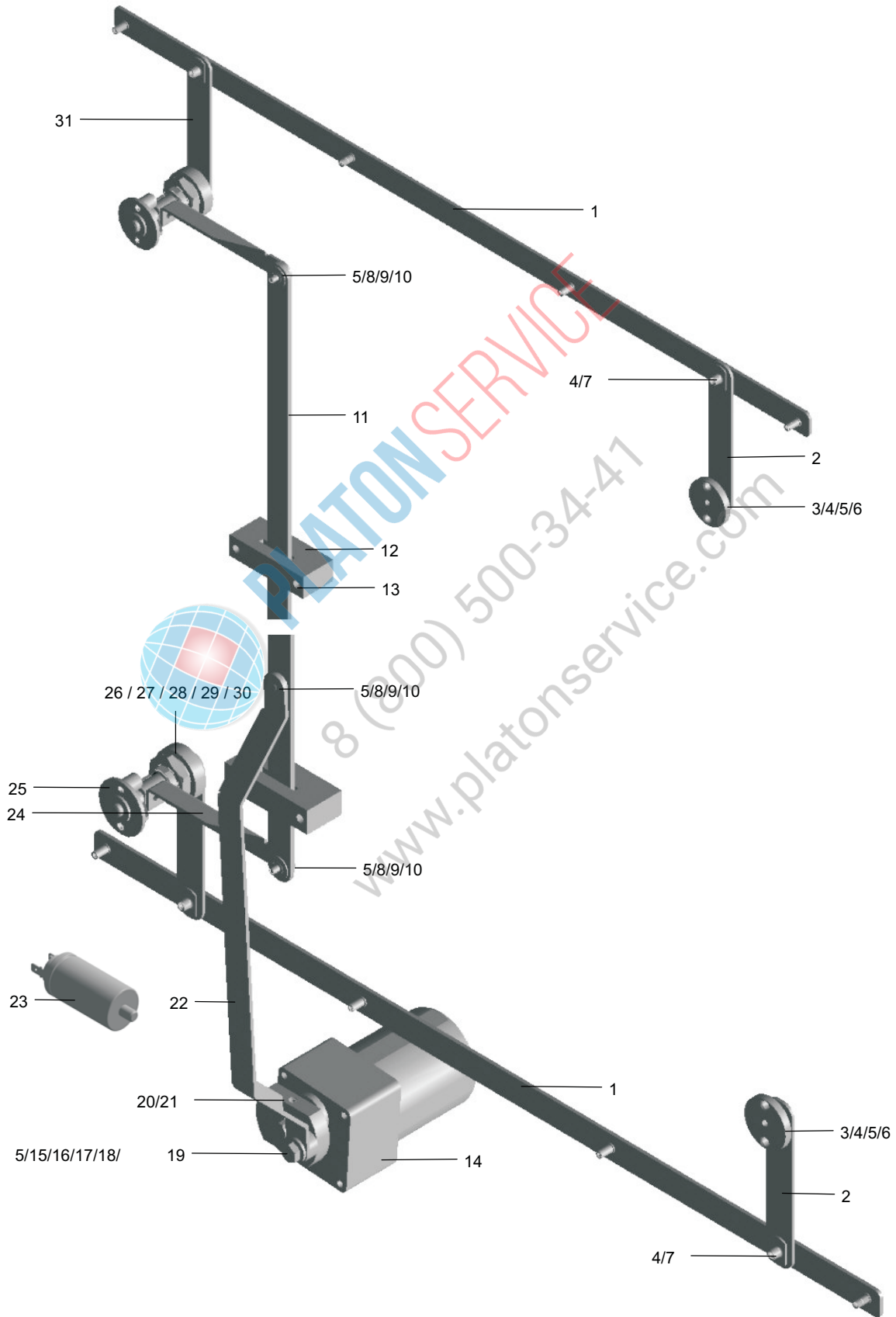
www.platonservice.com

24.06 AIR GAP



POS	PART NO.	DESCRIPTION
1 *	9523195	AIR GAP CPL.
2 *	0650076	PACKING
3	0233036	HOSE WIRE CLAMP 10/16
4	0640030	HOSE 3/8"
5	9538712	HOSE BLUE 06
6	9605930	HOSE WIRE CLAMP 8.5-9.5
7	9608600	HOSE 1/2"
8	0233043	HOSE WIRE CLAMP 12/22

29.02 WASH ARM DRIVE



29.02 WASH ARM DRIVE

POS	PART N O.	DESCRIPTION
1	9600635	RAIL
2	9600795	LEVER
3 *	9600646	BEARING HOUSING
4 *	9600796	BEARING BUSH
5	0337001-H	NUT M5
6	0340021	DISK
7 *	9600641	BEARING RING
8	9600788	DISK
9 *	9600714	BEARING BUSH
10	0340020	DISK
11	9600702	RAIL
12	9600739	BEARING BLOCK
13	9600741	PLATE
14 *	9544642	GEAR MOTOR 100-120V 50/60HZ
15 *	9600651	BEARING BUSH
16 *	9600722	BUSHING
17	0302009	SCREW M8X30
18	0340056	DISK
19	9606415	SPACER RING
20	9600738	ECCENTRIC DISK
21	0302044-H	HEXAGON SCREW M5X15
22	9600719	RAIL
23 *	9545702	CONDENSER 4.5 μ F
24	9600725	LEVER
25 *	0620372	SLIDING BEARING
26 *	9600632	BEARING HOUSING
27 *	0402003	RADIAL SHAFT PACKING RING
28 *	0401023	O-RING
29	9600728	HEXAGON NUT
30 *	9600640	BEARING BUSH
31 *	9600730	LEVER